

**SECTION 11110****TUMBLE DRYER, 75 LB. (34 KG) CAPACITY****PART 1 GENERAL**

## 1.01 SECTION INCLUDES:

- A. Automatic laundry dryer for processing water-washed linen items

## 1.02 SYSTEM DESCRIPTION

## A. DESIGN REQUIREMENTS:

1. Dry weight capacity: 75 lb. (34 kg)
2. Cylinder volume: 22.4 cu ft (634297 cu cm) minimum
3. Construction: Heavy duty embossed steel with e-coat and baked enamel powder paint
4. Input voltage: 240/60/3
5. Heat source: Electric, 30 kW
6. Overall width: 38-5/8 inches (981 mm) nominal
7. Overall height: 76-5/8 inches (1946 mm) nominal
8. Overall depth: 53 inches (1346 mm) nominal
9. Exhaust size: 8 inch (203 mm)
10. Control system: Microprocessor touchpad control
11. Door: High grade stainless steel reversible door with 7/8 inch (22 mm) rubber gasket and heavy duty hinge

## B. PERFORMANCE REQUIREMENTS:

1. Airflow: 750 CFM (21.2 CMM)
2. Motor horsepower: 3/4 hp
3. Control system
  - a. Programming methods: Machine keypad, Infrared (PC or PDA)
  - b. 41-Cycle Capability with graphic display of words and icons
  - c. PC software to program machine and/or audit machine performance with quick view performance reports
  - d. Record start, stop and idle time by date and time
  - e. Record last eight machine errors by date and time
  - f. Record machine service history
  - g. Internet connectivity for off-site diagnostic capabilities
  - h. Automatic maintenance reminders by day, week and month
  - i. Over Dry Prevention Technology (OPTidry<sup>TM</sup>) system utilizes two cylinder lifters as sensors (note: some capacities only have one sensor lifter)
  - j. Maintenance-free rotary transfer switch communicates signal between OPTidry<sup>TM</sup> sensor/lifters and control
  - k. Wrinkle free at cycle end allowing 30 seconds of tumble and 1-1/2 minutes of rest until door opens or maximum of one hour

- 4. Lint filter: 576 sq. inch (3716 sq. cm), self cleaning, depositing lint to large storage area at bottom of tumbler

1.03 DELIVERY, STORAGE AND HANDLING

A. ACCEPTANCE AT SITE:

- 1. Inspect machine for damage prior to acceptance. If damage is found, follow freight handler's procedure for claims.

B. STORAGE AND PROTECTION

- 1. Machine should be stored in a site protected from weather, direct sunlight and temperature extremes. Do not remove packaging prior to storage.
- 2. If machine is to be stored for an extended period of time, consult manufacturer for special requirements.

1.04 WARRANTY

- A. Warranty Period: Three years, limited, parts only, commencing on Date of Substantial completion

1.05 SYSTEM STARTUP AND COMMISSIONING

- A. Machine installation should be inspected by local manufacturer's representative prior to startup and operation. The party installing the machine is responsible for setting the schedule for this inspection.

**PART 2 PRODUCTS**

2.01 MANUFACTURERS

- A. Alliance Laundry Systems LLC - UniMac, obtain commercial laundry equipment from a single manufacturer

2.02 QUALIFIED MODELS

- A. UniMac model **UT075EUO** (no substitutions permitted)

**PART 3 EXECUTION**

3.01 INSTALLATION

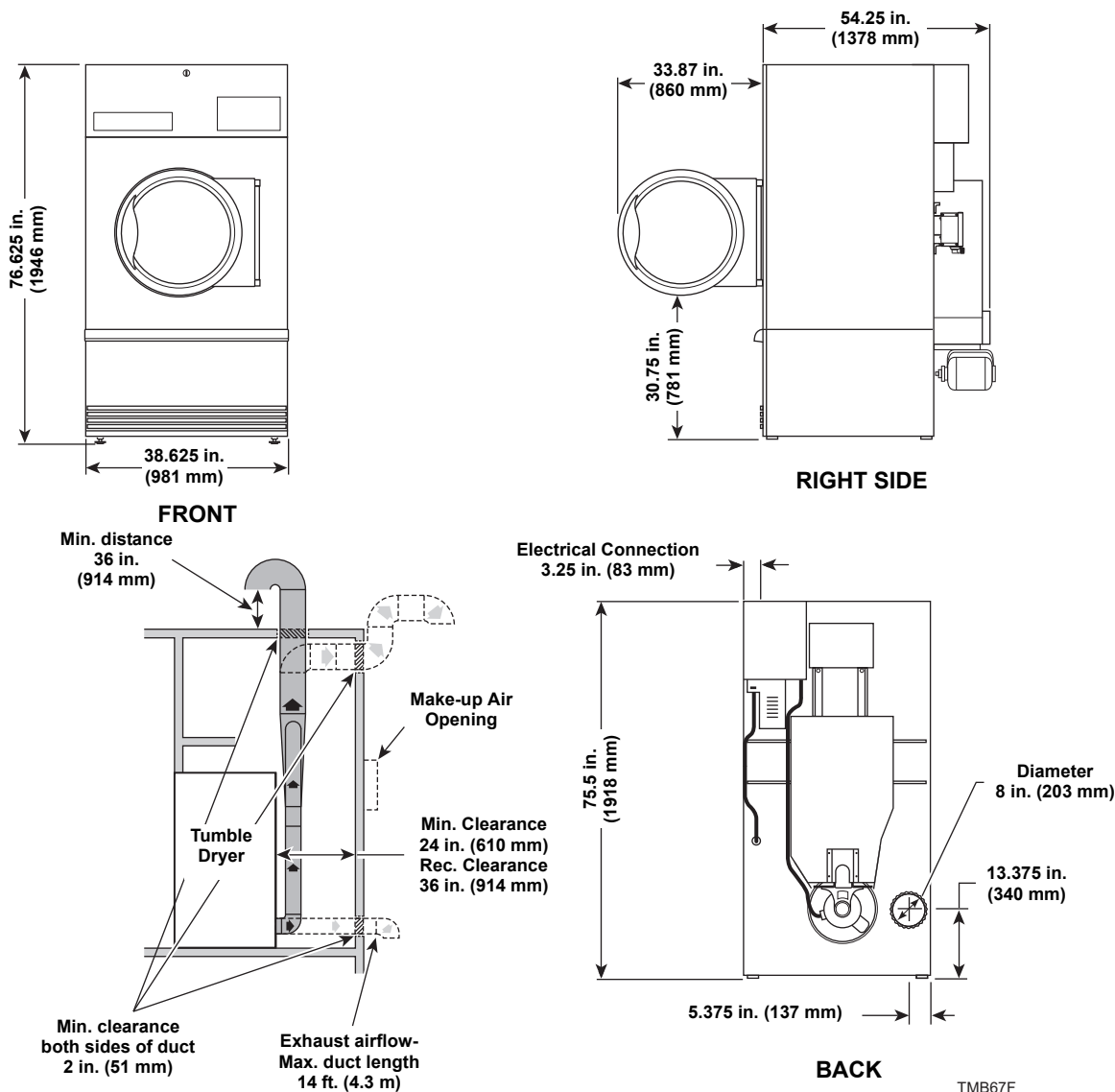
- A. Refer to and comply with manufacturer's installation instructions. Do not deviate without permission from site owner, architect, general contractor and manufacturer's local representative.

# Machine Dimensions and Specifications

Models UT075E



## Dimensions



## Specifications

Net Weight: Pounds	615
Make-up Air Opening: Square inches	195
Maximum Airflow per Pocket: C.F.M.	920
Maximum Static Back Pressure: Inches W.C.	0.5
Heating Element Rating: Kilowatts	30 kW

## Electrical Specifications

Code	Voltage	Cycle	Phase	Wire	Full Load Amps		Fuse or Breaker Rating (Amps)	Breaker Poles	AWG
					Nonreversing	Reversing			
F5	200-208	60	3	3	89	88	125*	3	1
J8	240	60	3	3	79	78	100*	3	3
M3	380	60	3	3	47	48	60*	3	6
P1	440	60	3	3	41	41	51*	3	6
Q2	480	60	3	3	38	38	50*	3	6

\* 3 Phase machines should not have fuses, breakers only.